

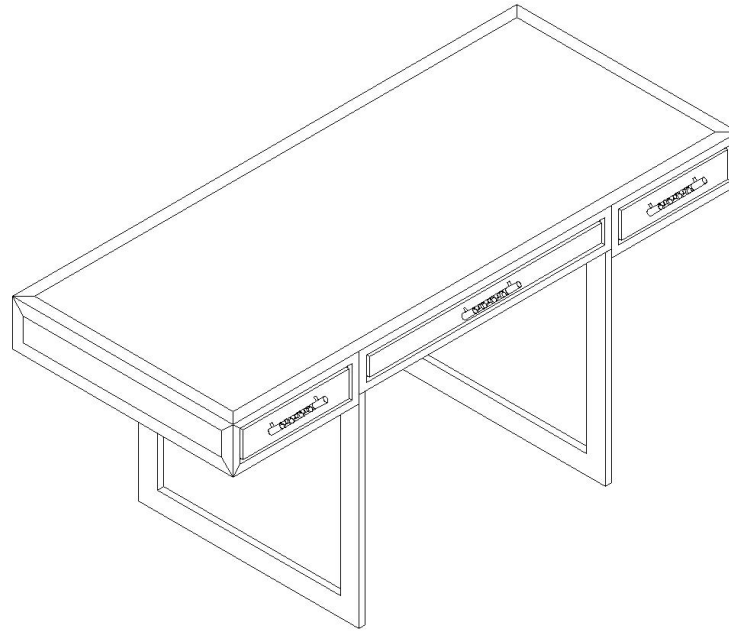
MOE'S

home collection

ASSEMBLY INSTRUCTIONS.









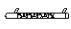

MAKO DESK

VL-1053-15



THANK YOU FOR YOUR PURCHASE!

PARTS AND HARDWARE.

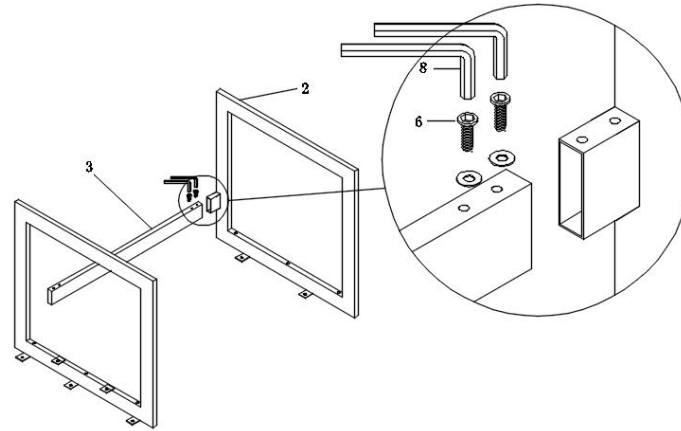
NO.	DESCRIPTION	IMAGE	Q'TY
①	BODY		1
②	LEGS		2
③	LEGS		1
④	FLAT WASHER φ8-16		14
⑤	BOLT M8x20		10
⑥	BOLT M8x16		4
⑦	ALLEN KEY		1
⑧	ALLEN KEY		1
⑨	HANDLE		3
⑩	SCREW (M4x25)		6

NOTES.

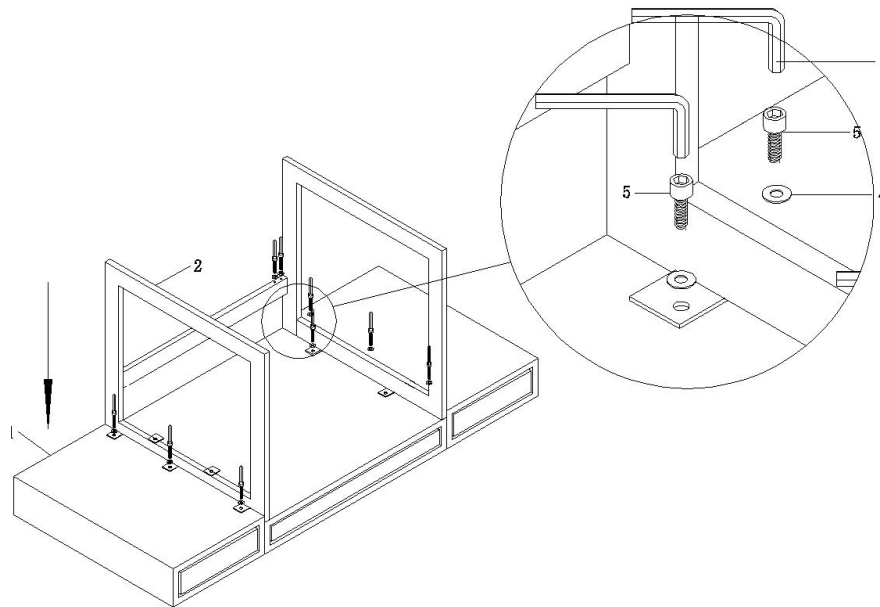
Thank you for purchasing this quality product! Be sure to check all packing material carefully for small part that may have come loose inside the carton during shipping.

Caution: The item is heavy, assembly should be performed by two people.

STEP 1.



STEP 2.



STEP 3

